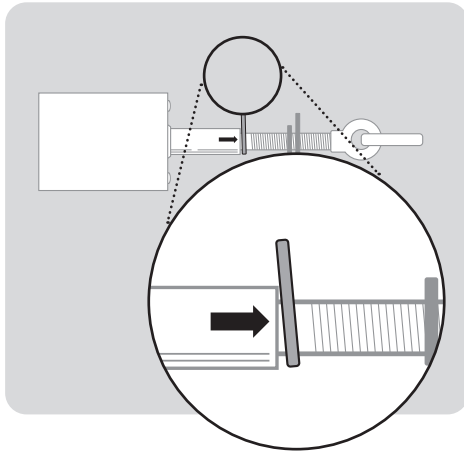


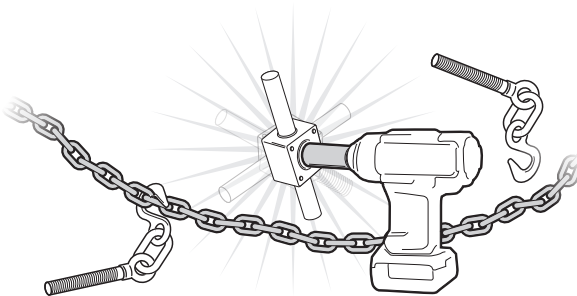
## ENGAGING THE WEDGING TAB

The threads on the wedging tab feature a 4-degree angle, which creates a wedge once properly engaged.

It is essential that you properly engage the wedging tab (pie-shaped tab marked R) in order to secure your binder against loosening due to vibration during transit.



**!** Please note, the threaded rods can come completely out of the barrel when loosening, resulting in potential injury. It is advisable to run the wrench SLOWLY at first until you develop a sense for the length of the threaded rods.



## MAINTENANCE & PARTS

### Lubrication

The SELF® Load Binder comes greased with Chevron Starplex® Syn HD or Lubriplate Syn-1602 high performance grease. Re-grease the wear surfaces in your gearbox regularly. Apply grease directly to the wear surfaces with the binder fully disassembled.

Maintain threaded rods regularly with a spray lubricant to minimize rust.

### Replacement Parts

To order replacement parts, please contact [ORDERS@SELFLOADBINDER.COM](mailto:ORDERS@SELFLOADBINDER.COM), or call 833-289-7353.

Watch Our YouTube Video:  
"Using Your SELF® Load Binder - Use & Maintenance Instructions"



SCAN ME

## CONTACT INFORMATION

(833) BUY-SELF | (833) 289-7353  
[WWW.SELFLOADBINDER.COM](http://WWW.SELFLOADBINDER.COM)  
[CUSTOMERSERVICE@SELFLOADBINDER.COM](mailto:CUSTOMERSERVICE@SELFLOADBINDER.COM)

# OSELF

SAFE | EASY | LIGHT | FAST®

## SELF® Load Binder Instruction Manual

**PATENT PROTECTED:**

US 9,610,883 | US 9,776,550 | US 10,239,439 | US 11,193,556  
CA 2,979,872 | Other Patents Pending



**WARNING:** Do not exceed the WLL  
(Working Load Limit) of your Binder.

## WRENCH & SOCKET SPECS

### Selecting an Impact Wrench

The SELF® Load Binder is operated with a ½" drive battery-powered impact wrench with a maximum recommended fastening torque rating of 750ft-lbs. **DO NOT ATTEMPT TO OPERATE YOUR BINDER USING A DRILL.**

If you use an impact wrench with more than the maximum recommended fastening torque, your binder will reach tension more quickly, and you must be sure to avoid over-tightening your chain.

**Exceeding the recommended maximum fastening torque may invalidate your warranty.**

### Using a Hand Ratchet

A hand ratchet wrench is also suitable for tightening your binder. You may wish to carry a hand ratchet with you as a back-up option in the event of a drained or lost battery.

Note: If using a hand ratchet, a socket extension is recommended. The socket extension provides a hand-hold surface for steadying the wrench when tightening and loosening, resulting in greater control during operation.

Perform adequate load checks and ensure proper chain tension is maintained at all times.

### Selecting a Socket

Always use a socket with your SELF Load Binder. You will need a 6-point 15/16" impact socket with a ½" drive. The square receiver is only to be used when a socket is unavailable.



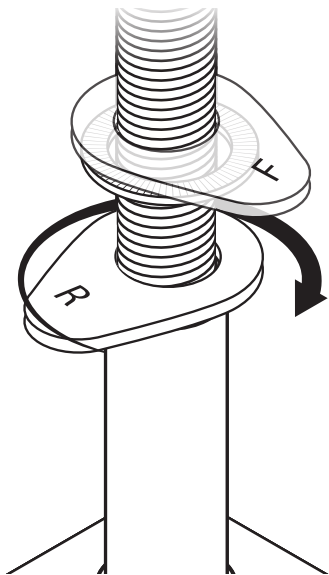
**Your impact wrench and/or its battery may lose capacity over time. If you notice the binder loosening sooner, this may be a sign that the wrench/battery combo are not providing adequate torque and may need to be replaced.**

## ENGAGING THE LOCK

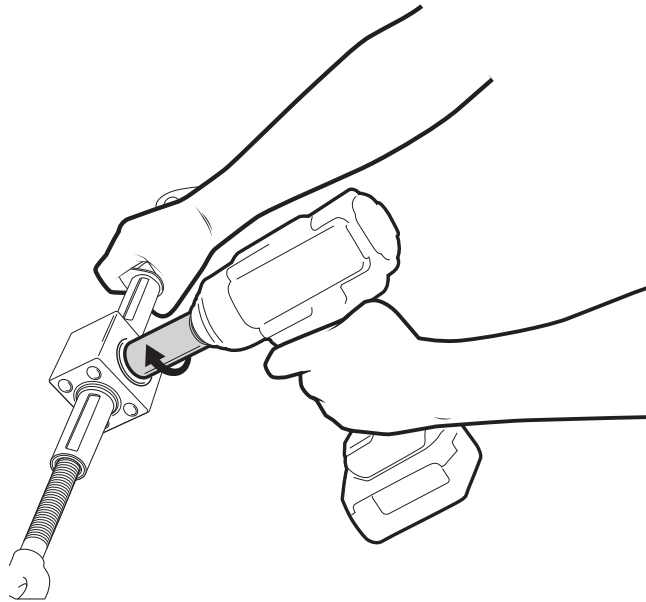
**STEP 1** After the binder & chain are tight, hand-turn the R-tab (wedging tab) until it is hand-tight against the barrel.



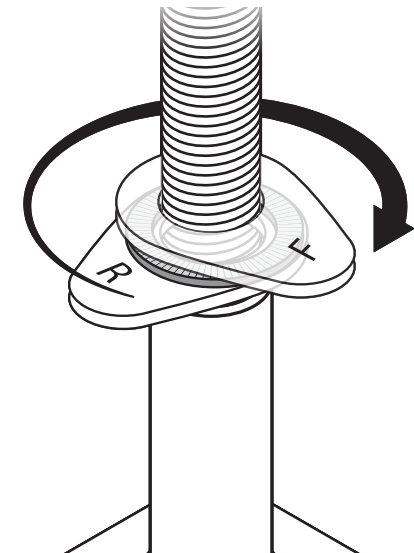
**Hand tightening DOES NOT engage the lock! You must actuate the binder with your wrench to lock in the wedging tab.**



**STEP 2** After the tab is hand-tight, hold it in place and briefly rattle the impact wrench. This firmly locks the wedging tab into place.



**STEP 3** Repeat the above steps for the Single-F (flat) tab. The anti-vibration washer is now sandwiched securely between the two tabs.



To disengage the lock, simply run the wrench in reverse.